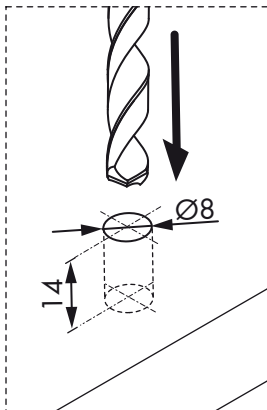
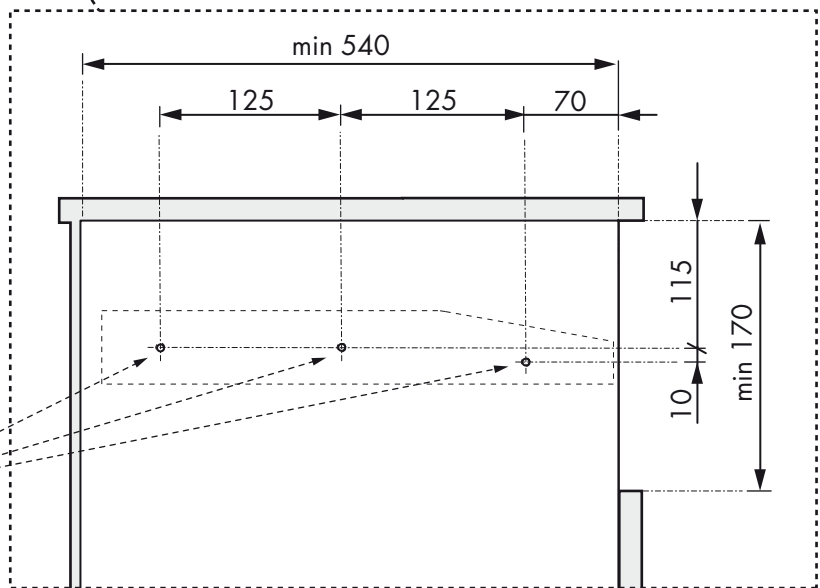
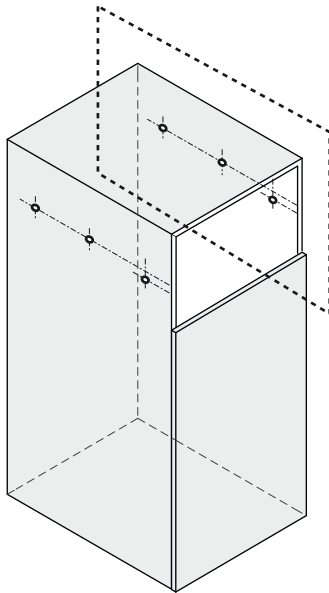
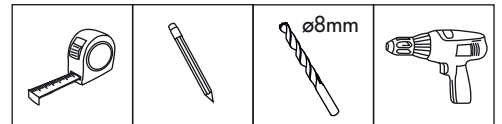
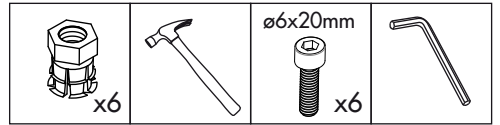
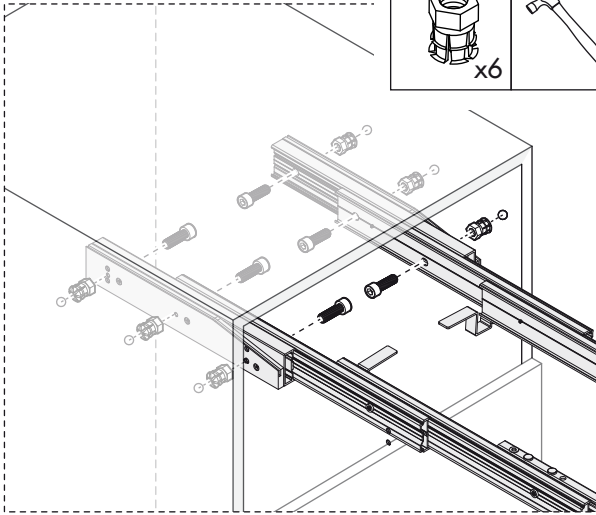
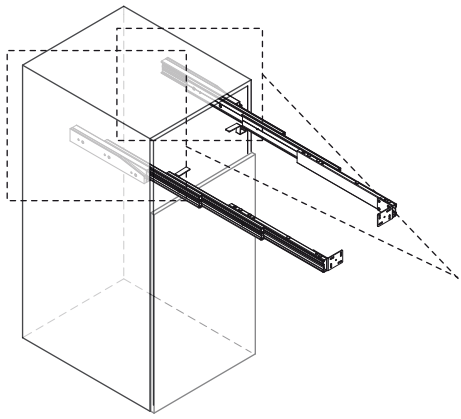


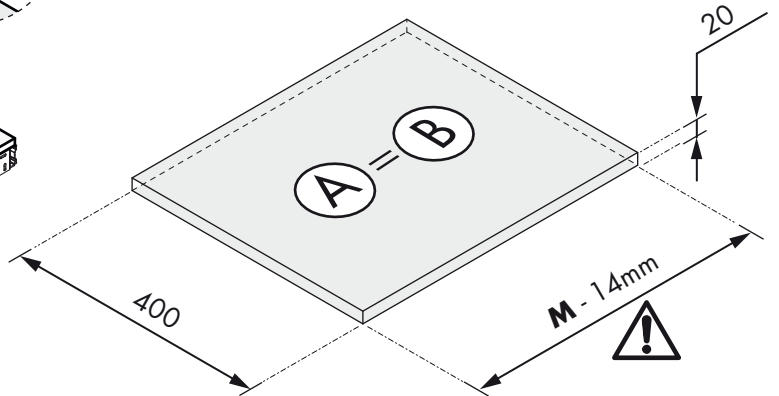
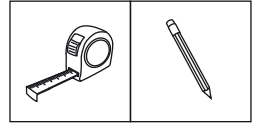
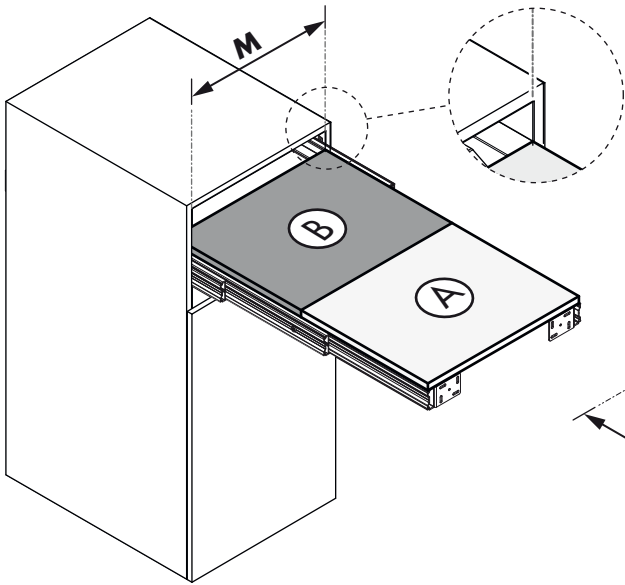
1



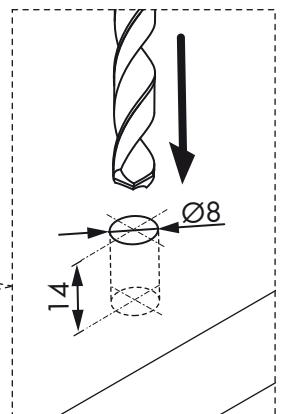
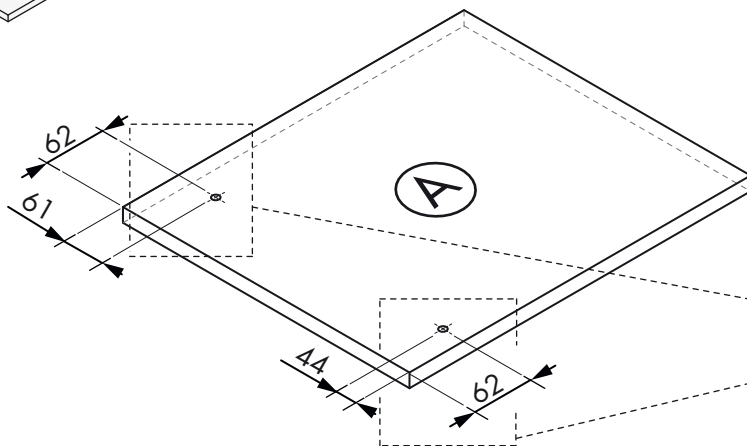
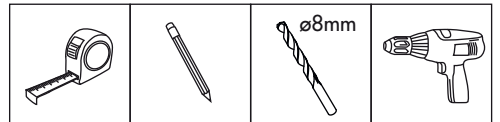
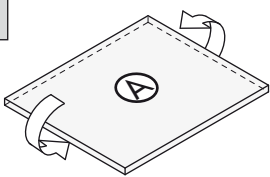
2



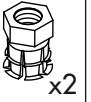
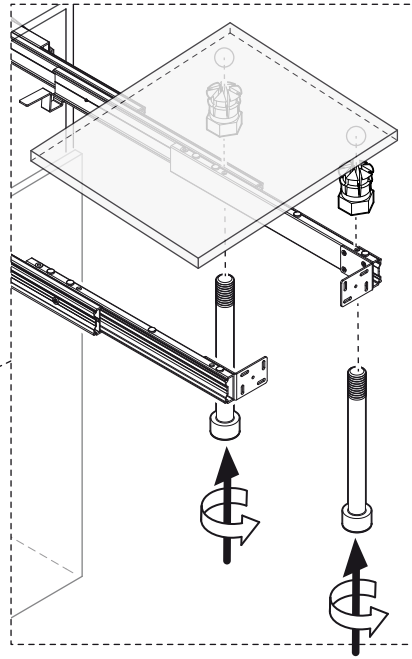
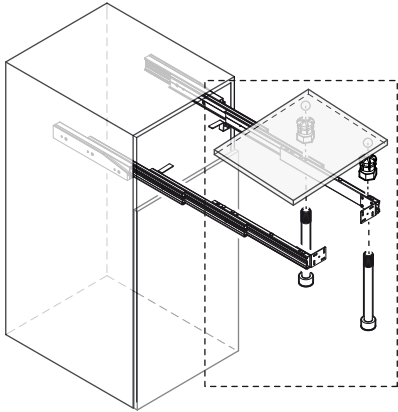
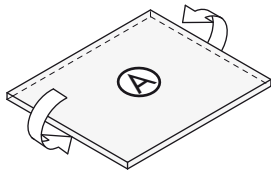
3



4



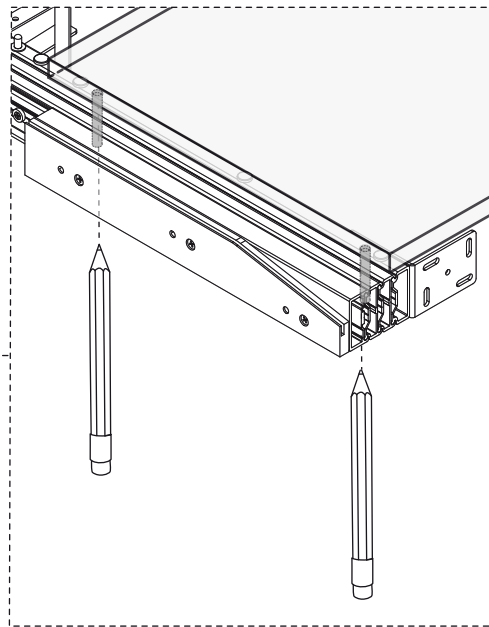
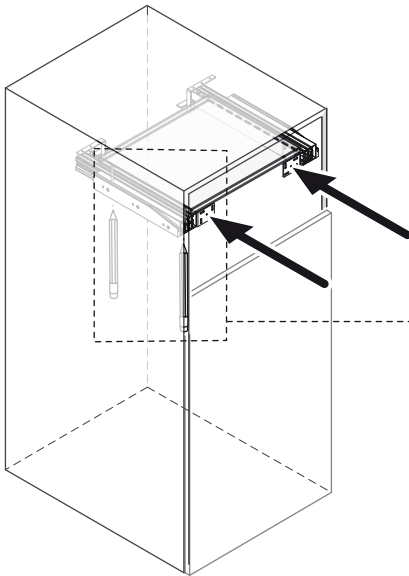
5



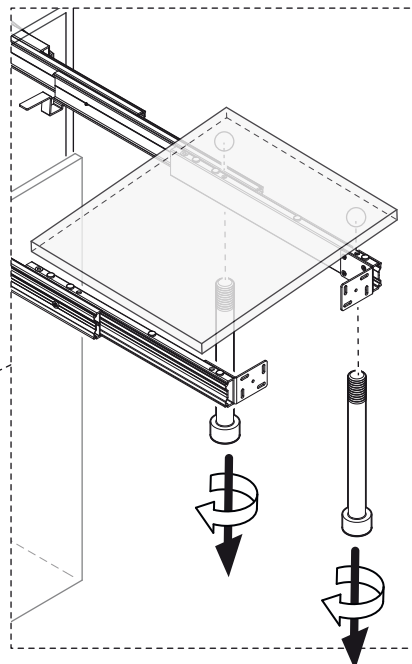
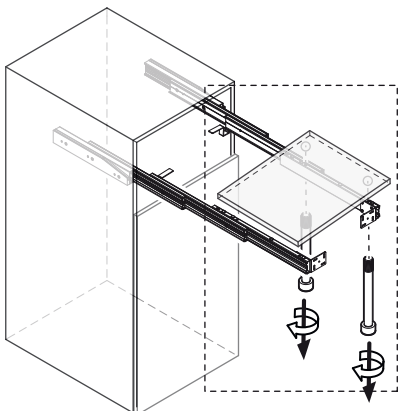
ø6x20mm



6



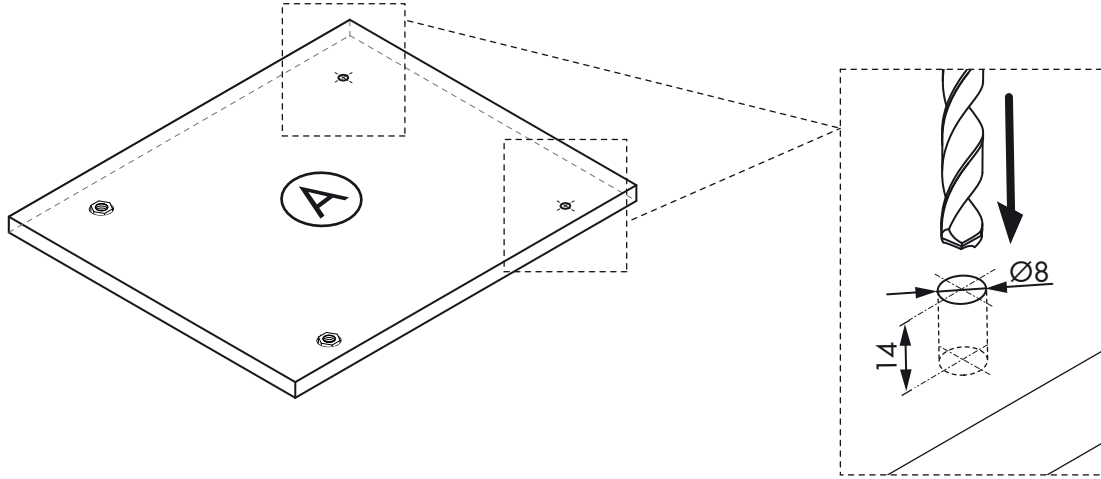
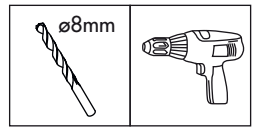
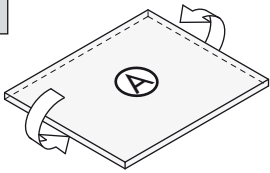
7



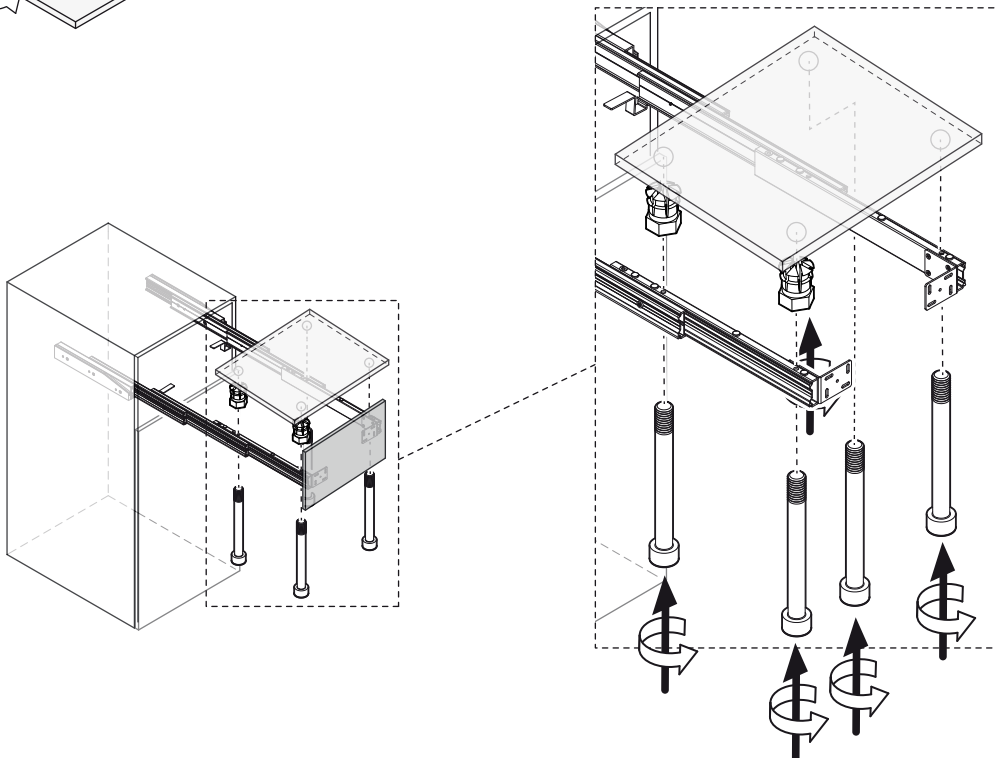
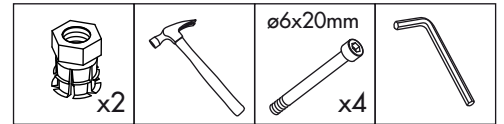
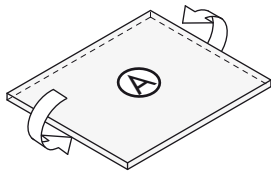
ø6x20mm





8

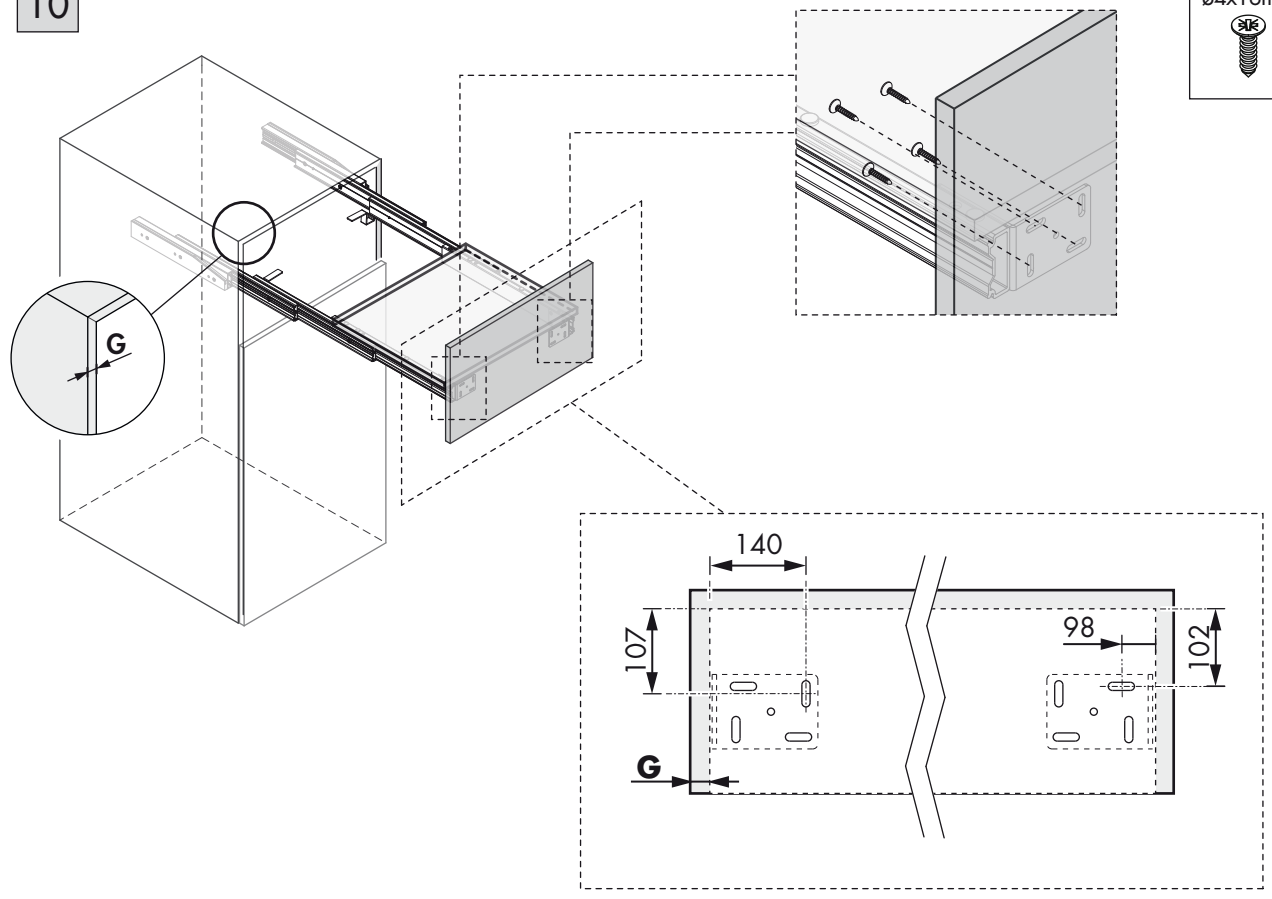


9

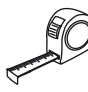



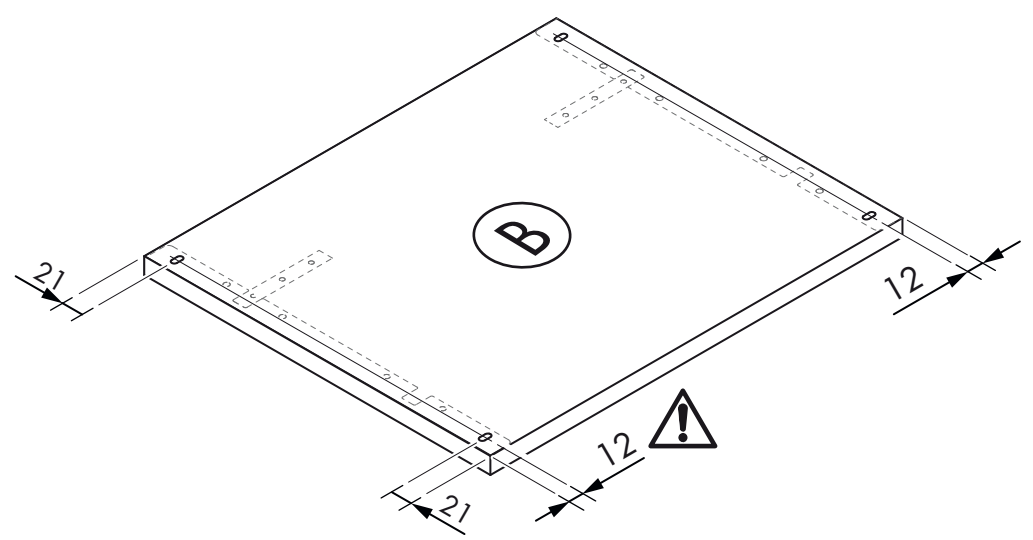
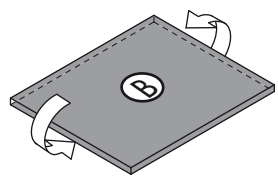
10

$\varnothing 4 \times 16 \text{ mm}$  x8	
---	--

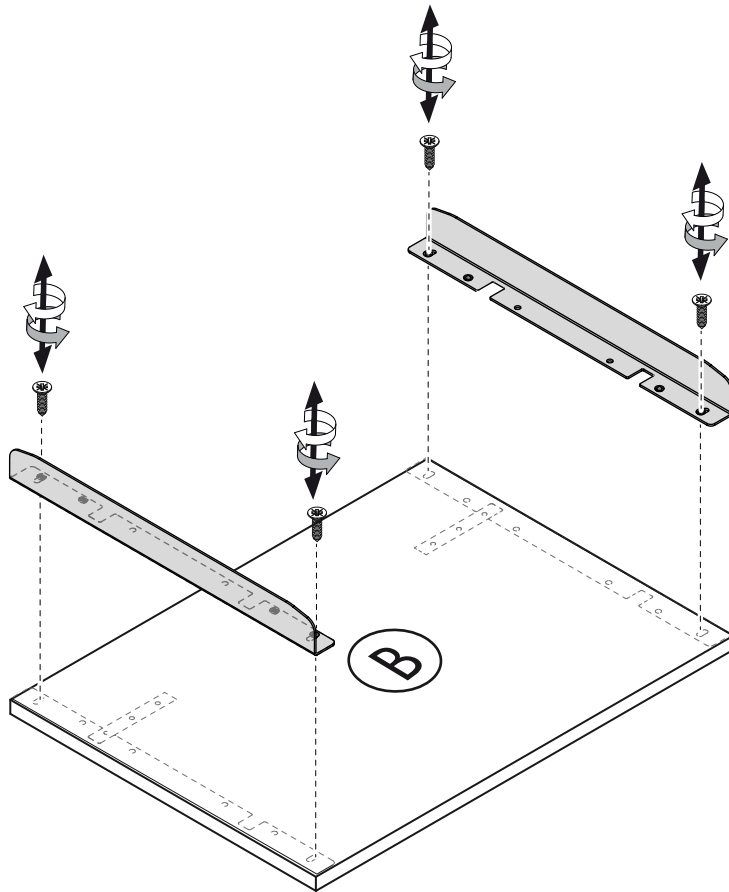
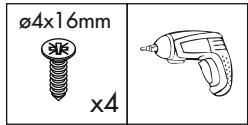


11

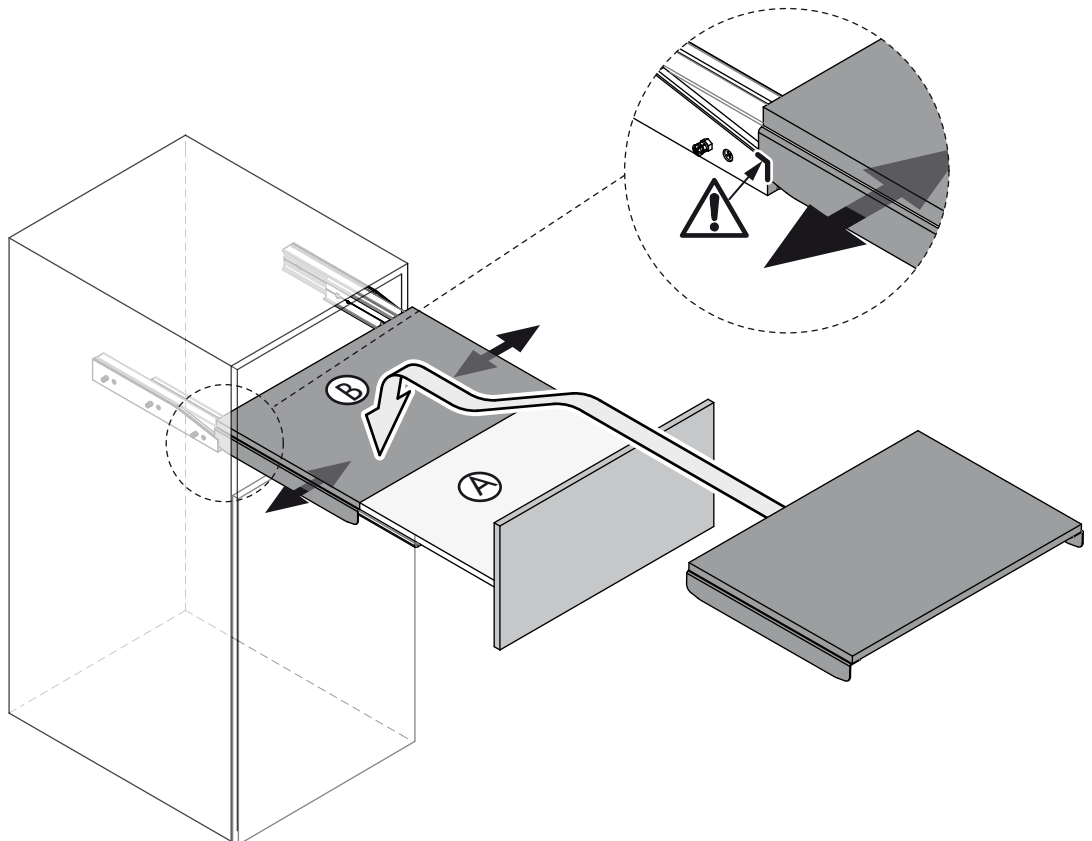
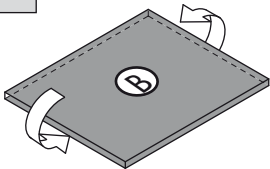
	
---	---



12



13

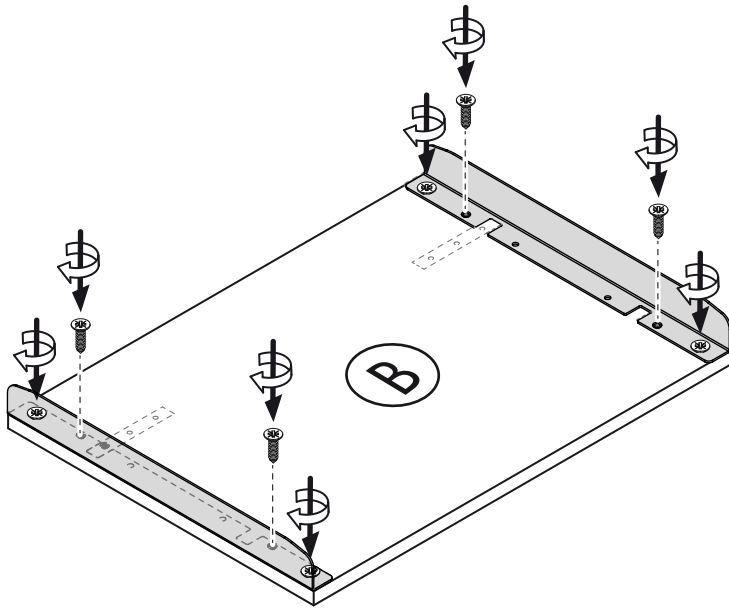
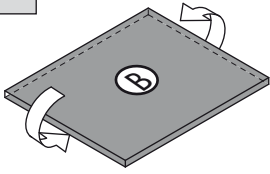


14

ø4x16mm



x4

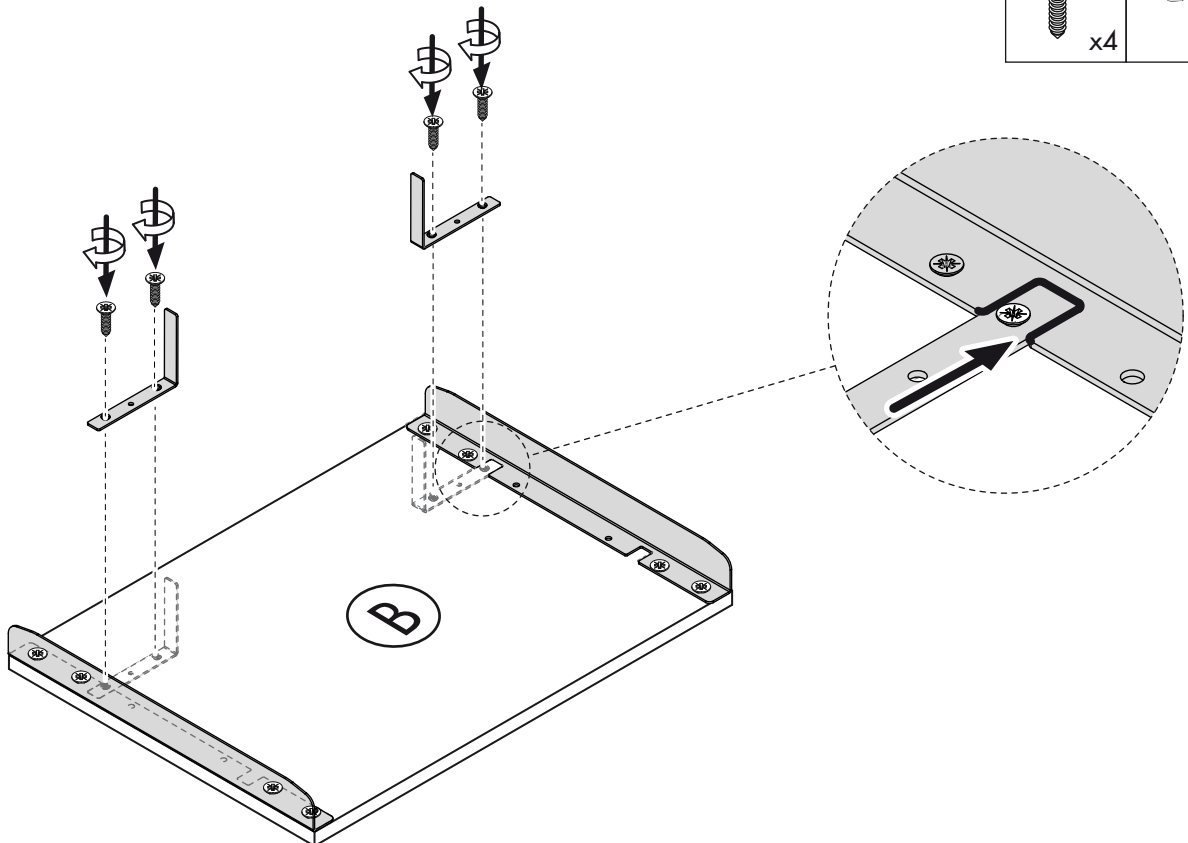


15

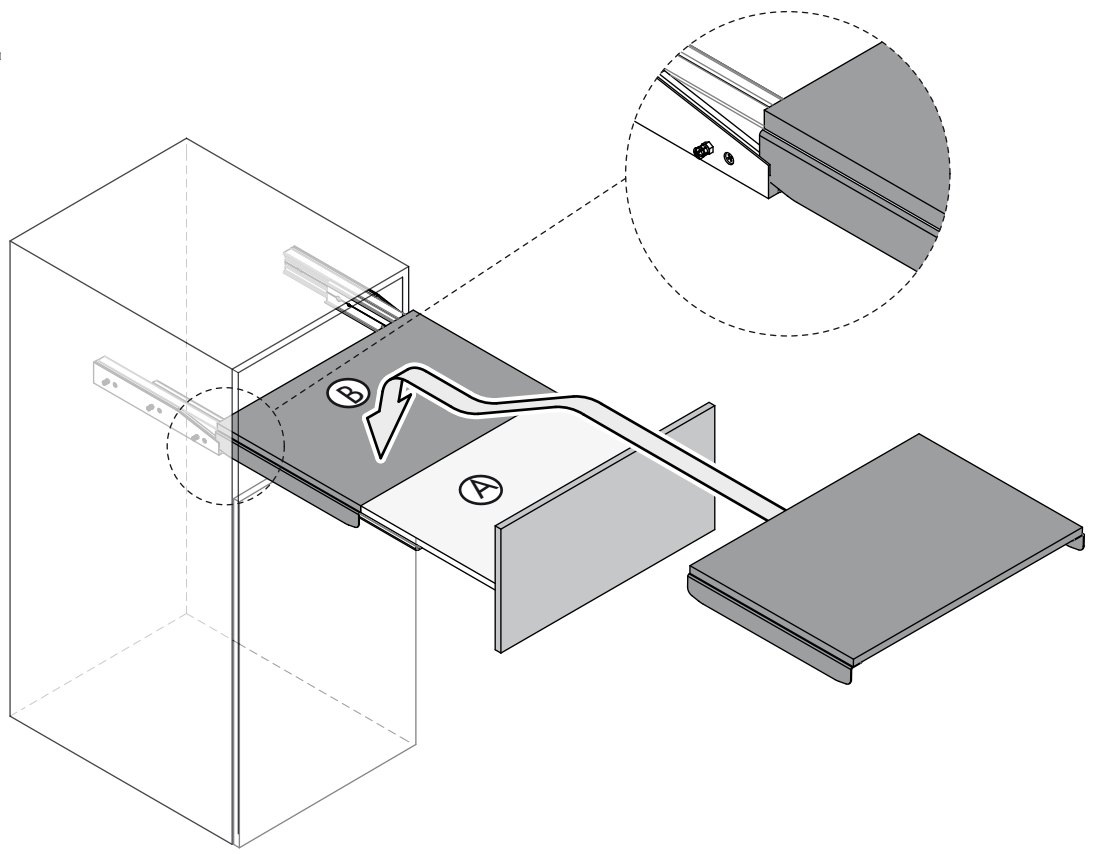
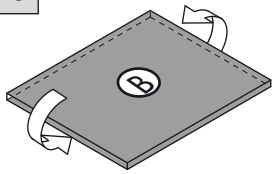
ø4x16mm



x4



16



i

