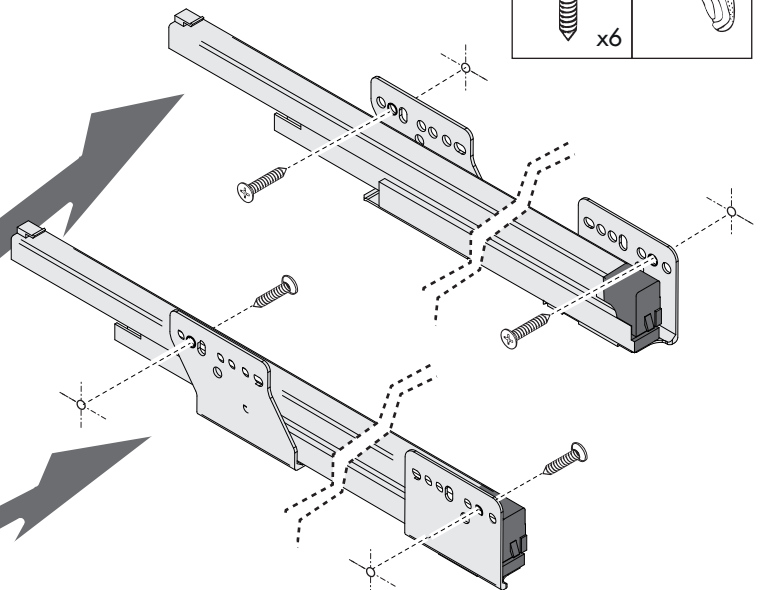
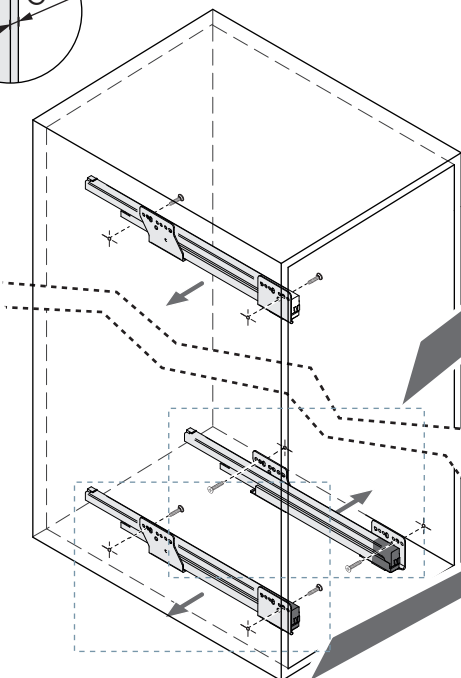
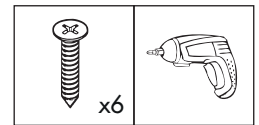
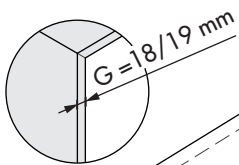
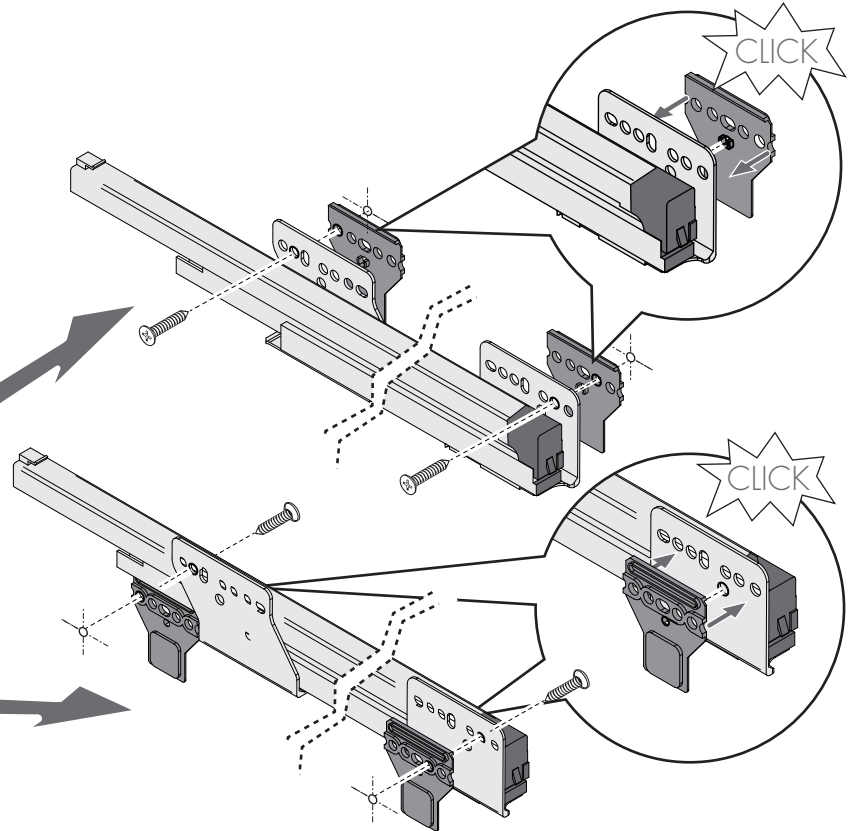
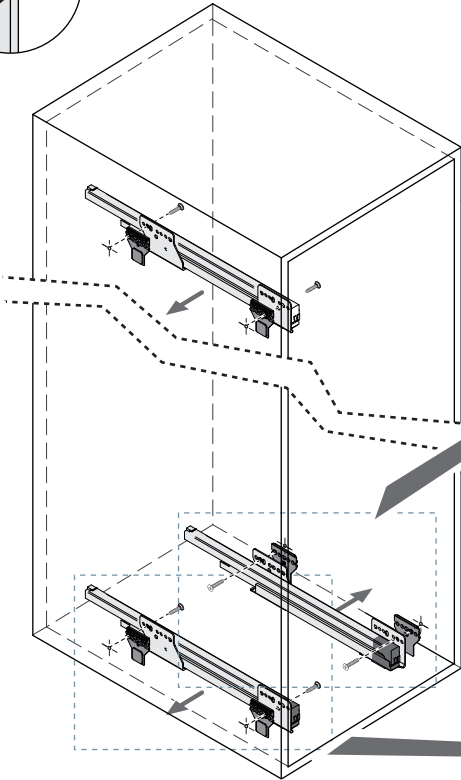
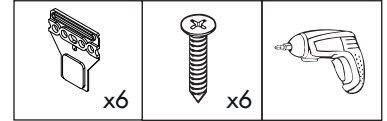
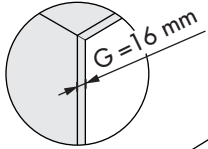
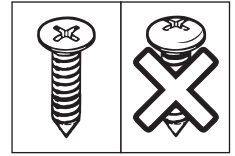
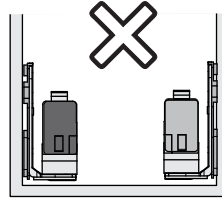
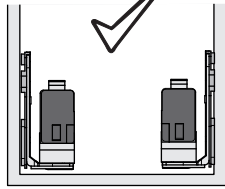
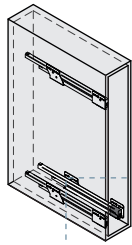
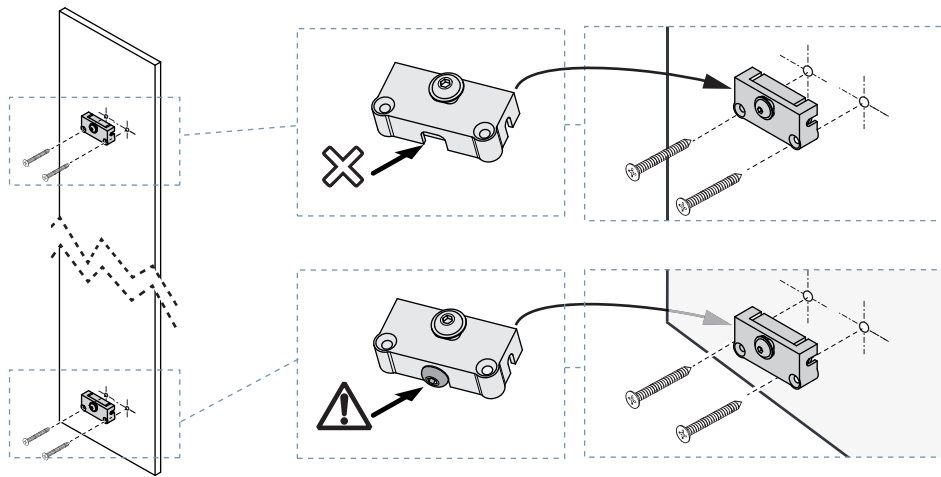


3



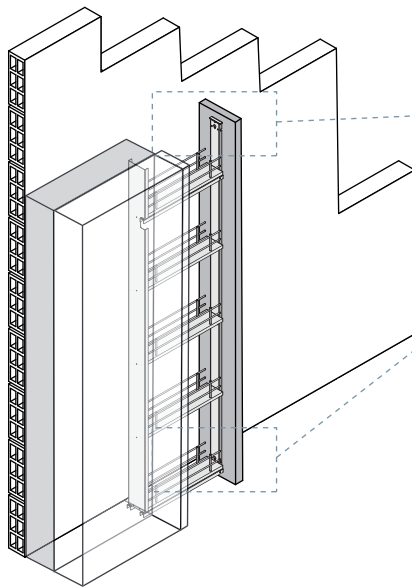
4



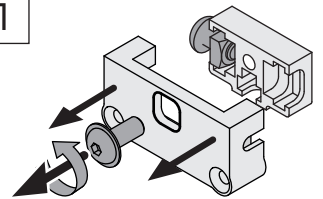
ø3.5x25mm



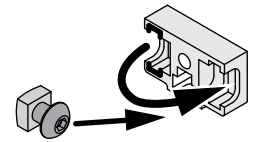
x4



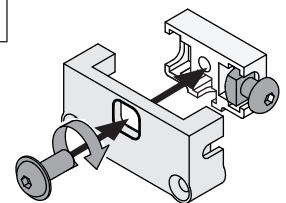
1



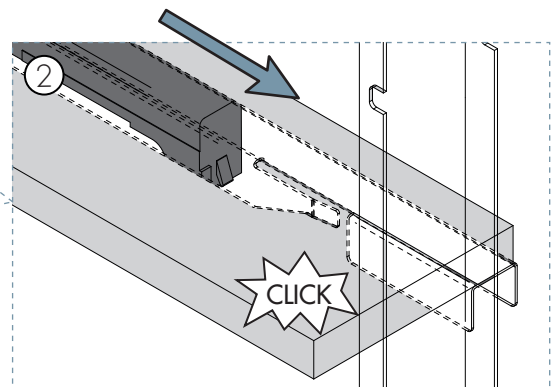
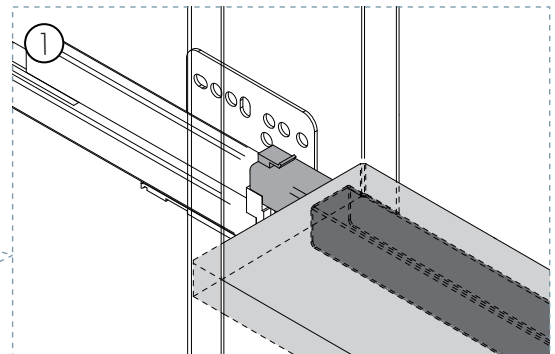
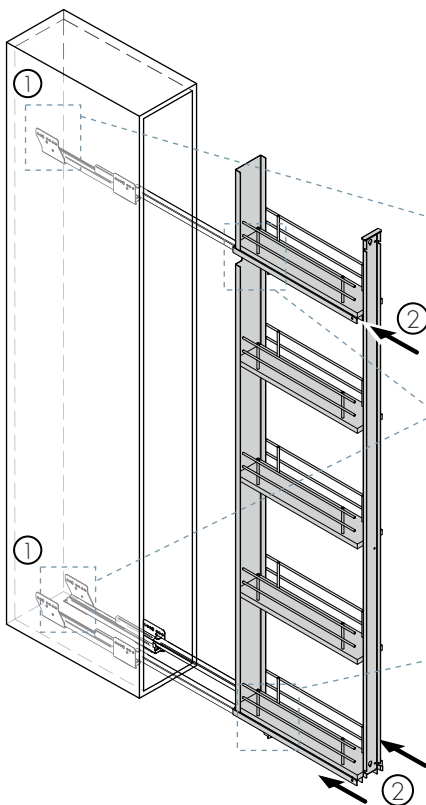
2

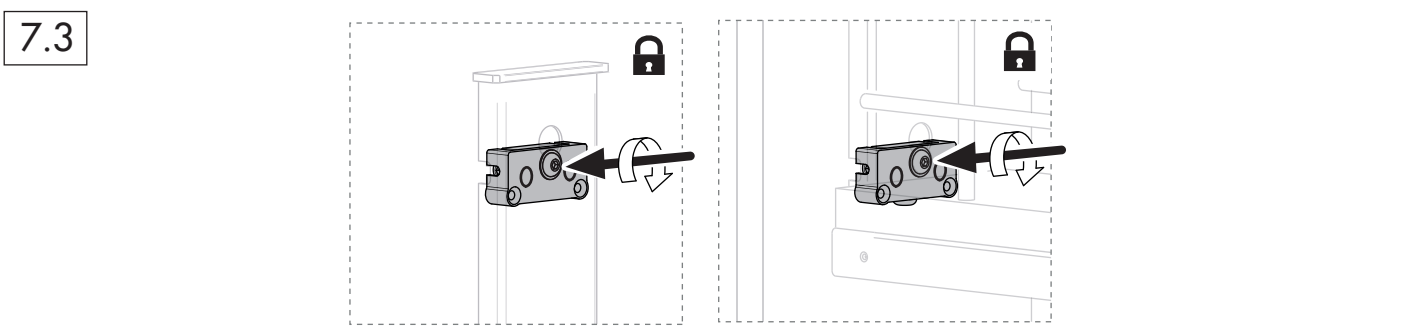
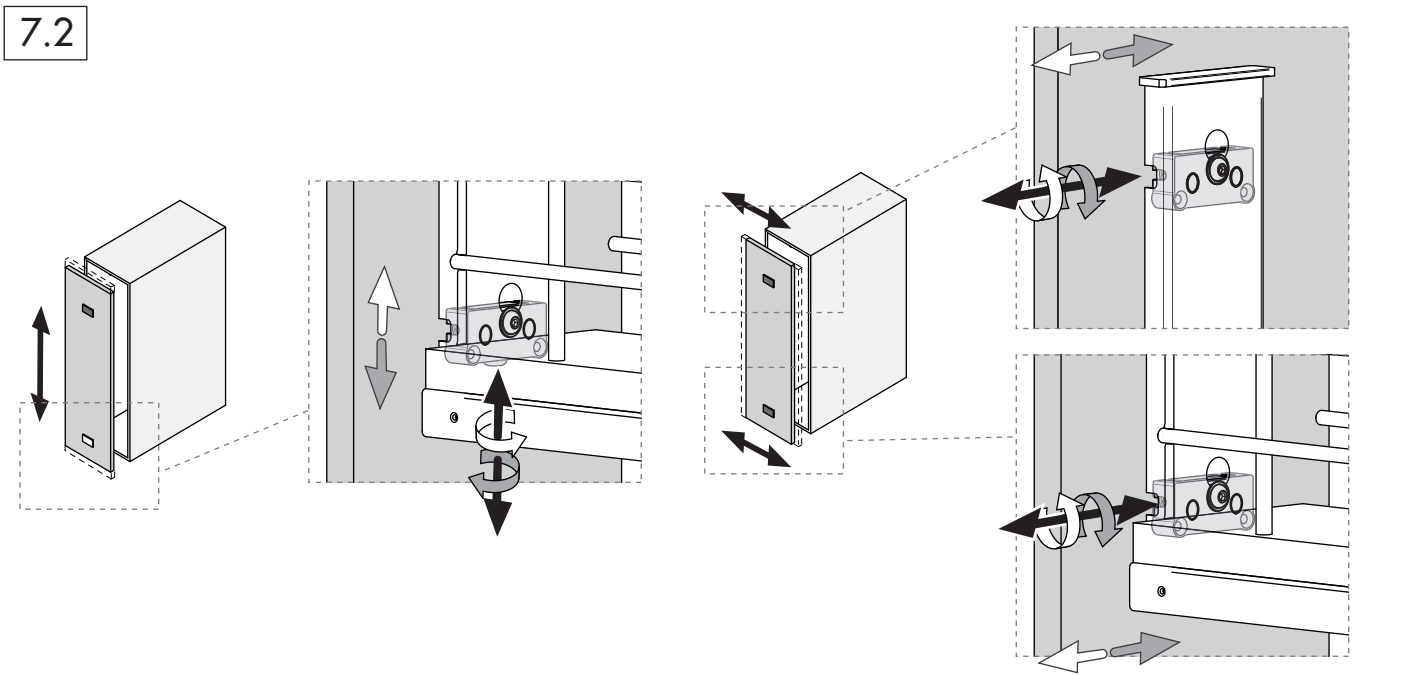
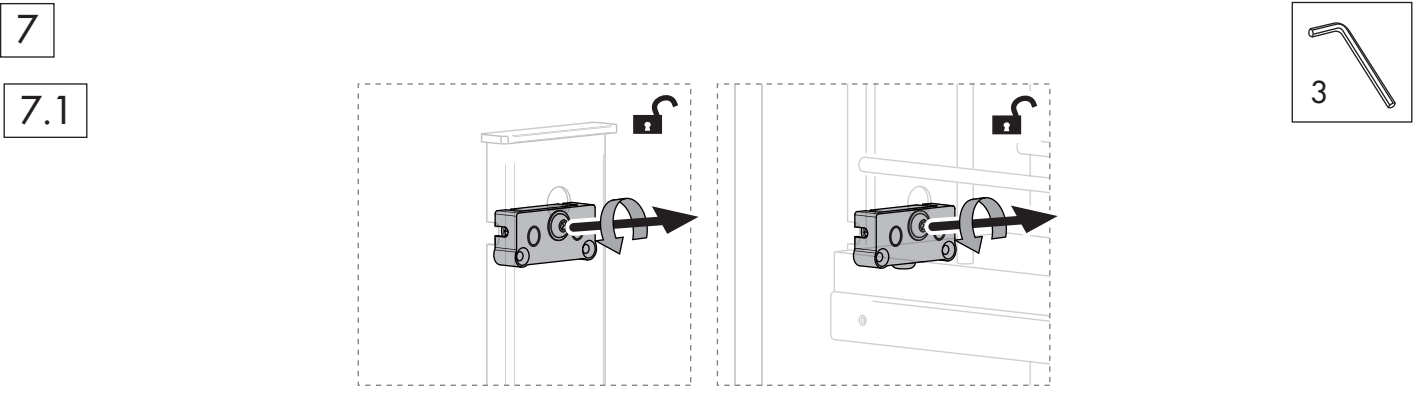
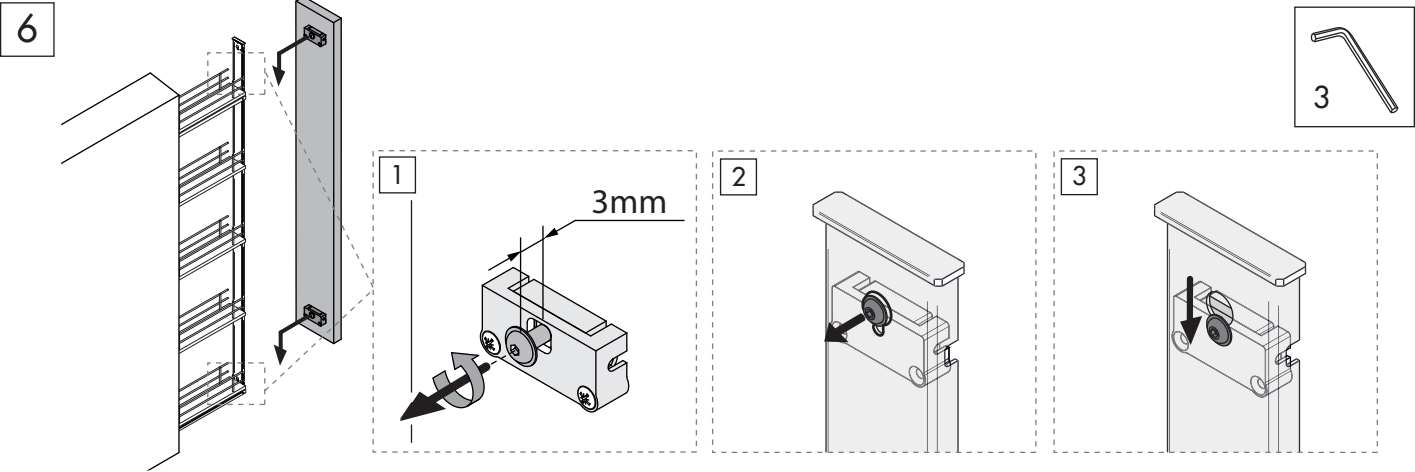


3

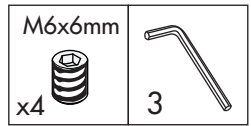


5

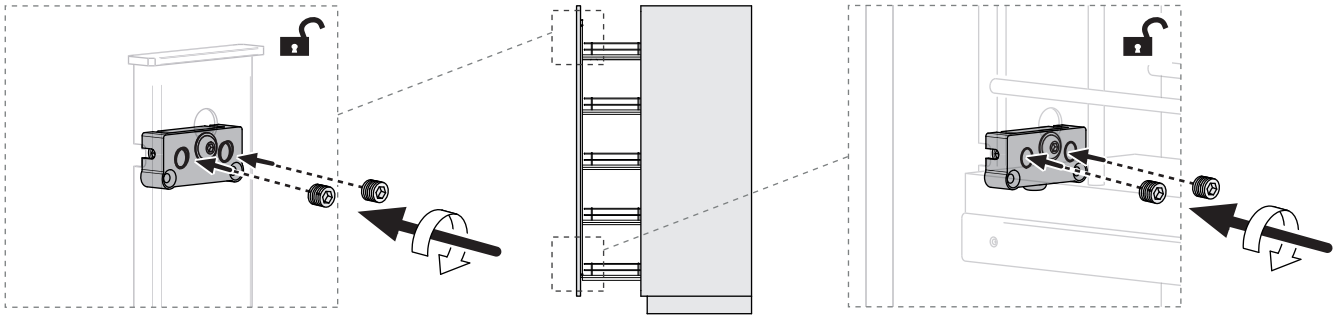




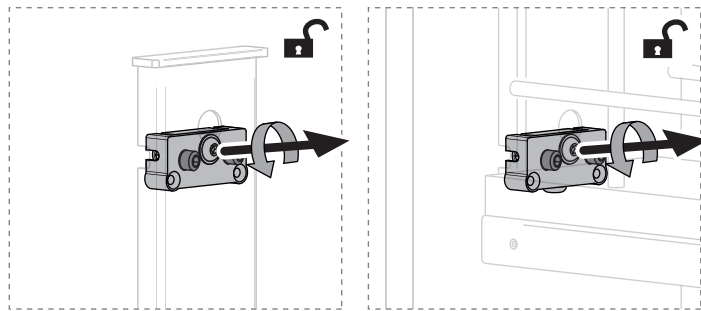
8



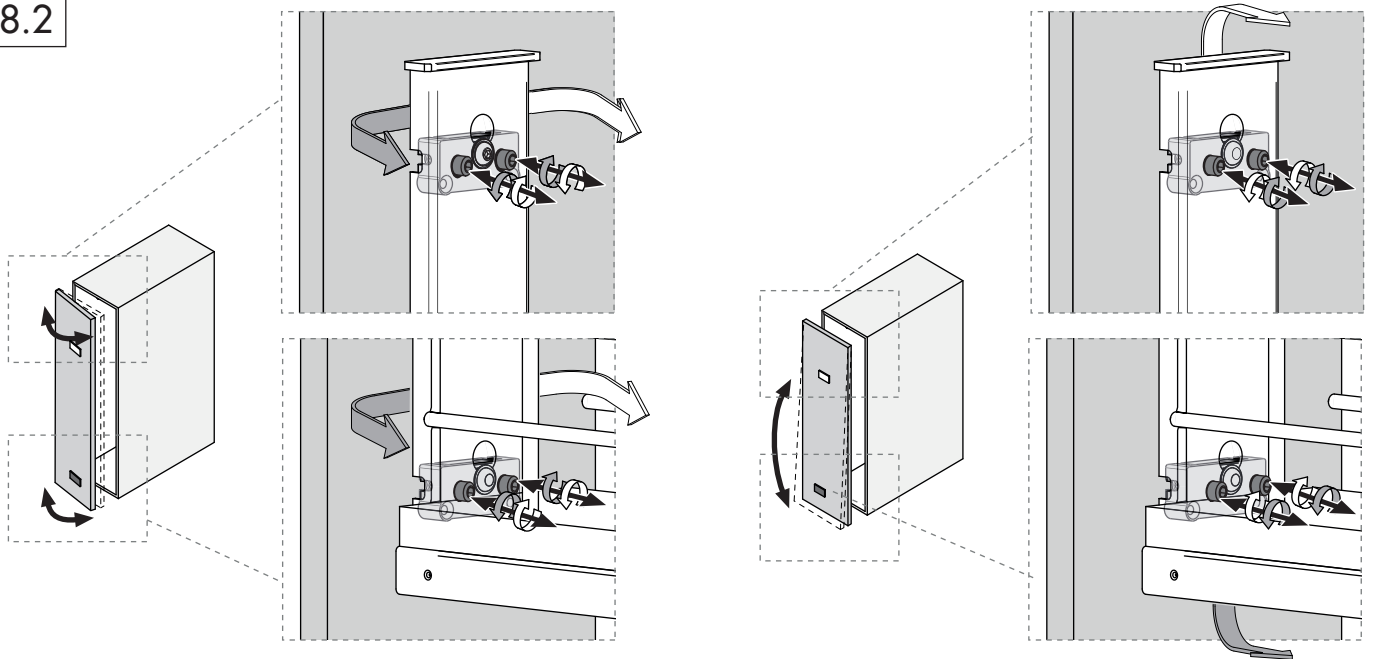
M6x6mm



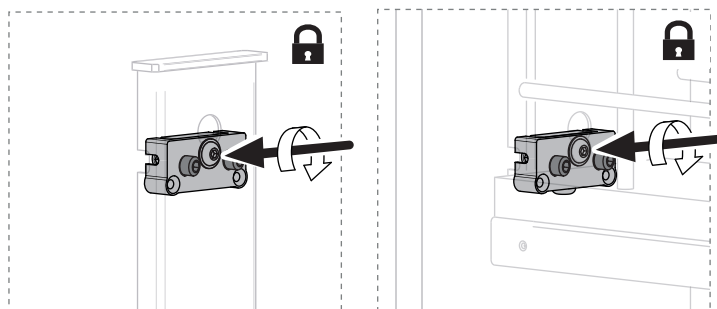
8.1



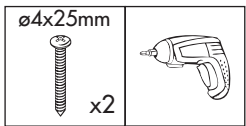
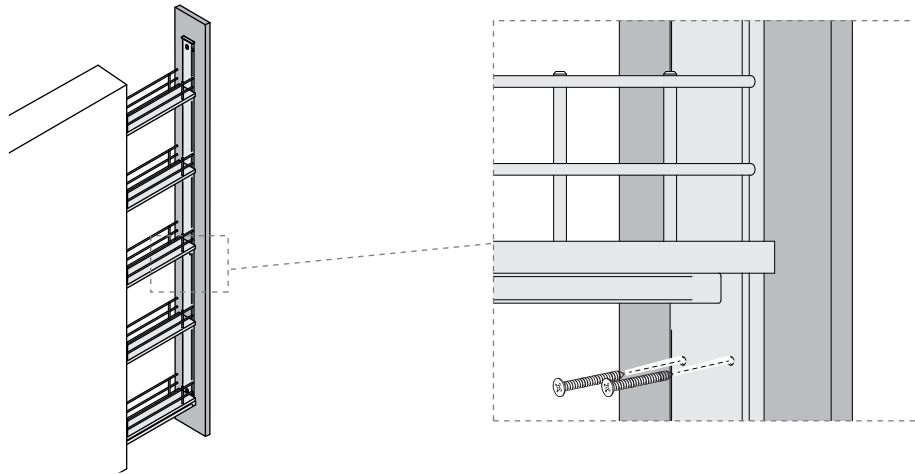
8.2



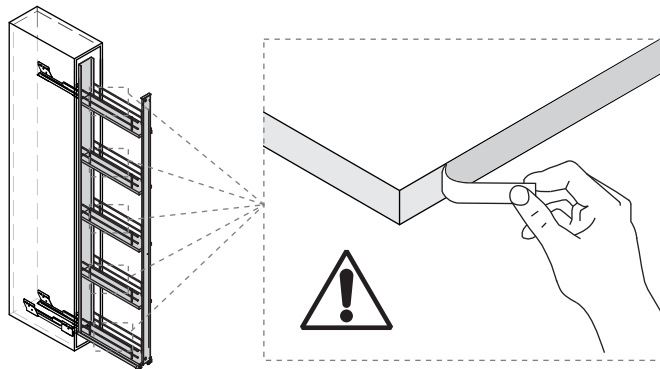
8.3



9



10



i Desmontaje | Dismount | Démontage

