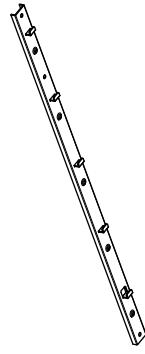
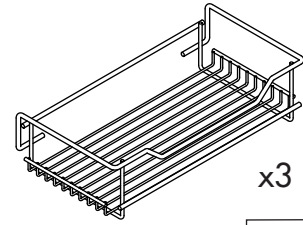


L1



x2

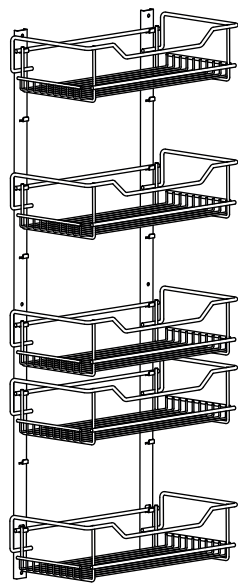


x3

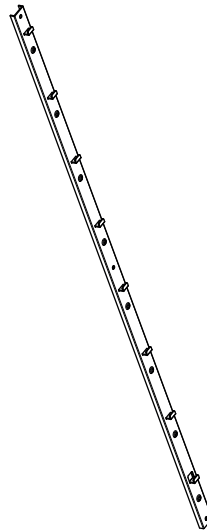
ø4x16mm



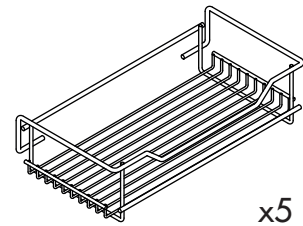
x6



L2



x2

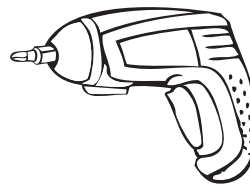
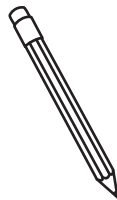
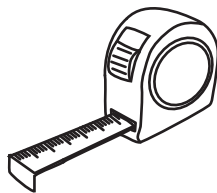


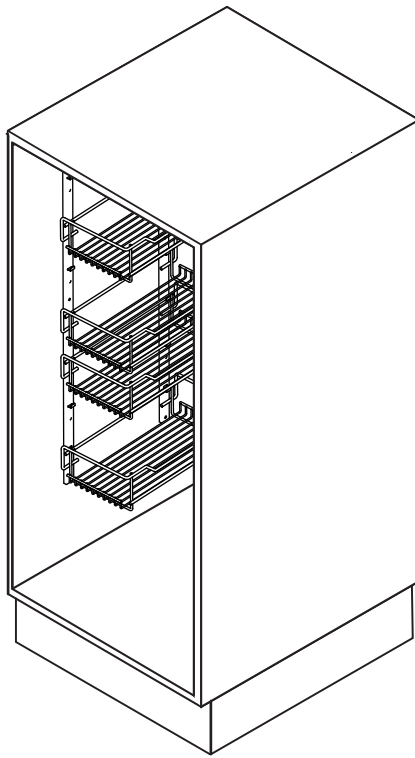
x5

ø4x16mm

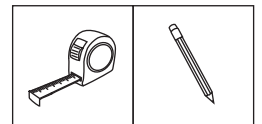
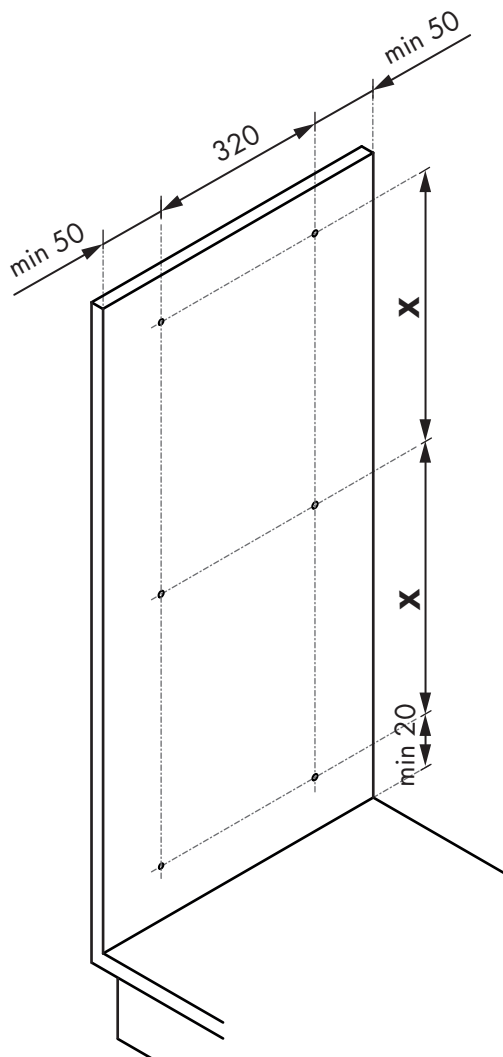


x6





1





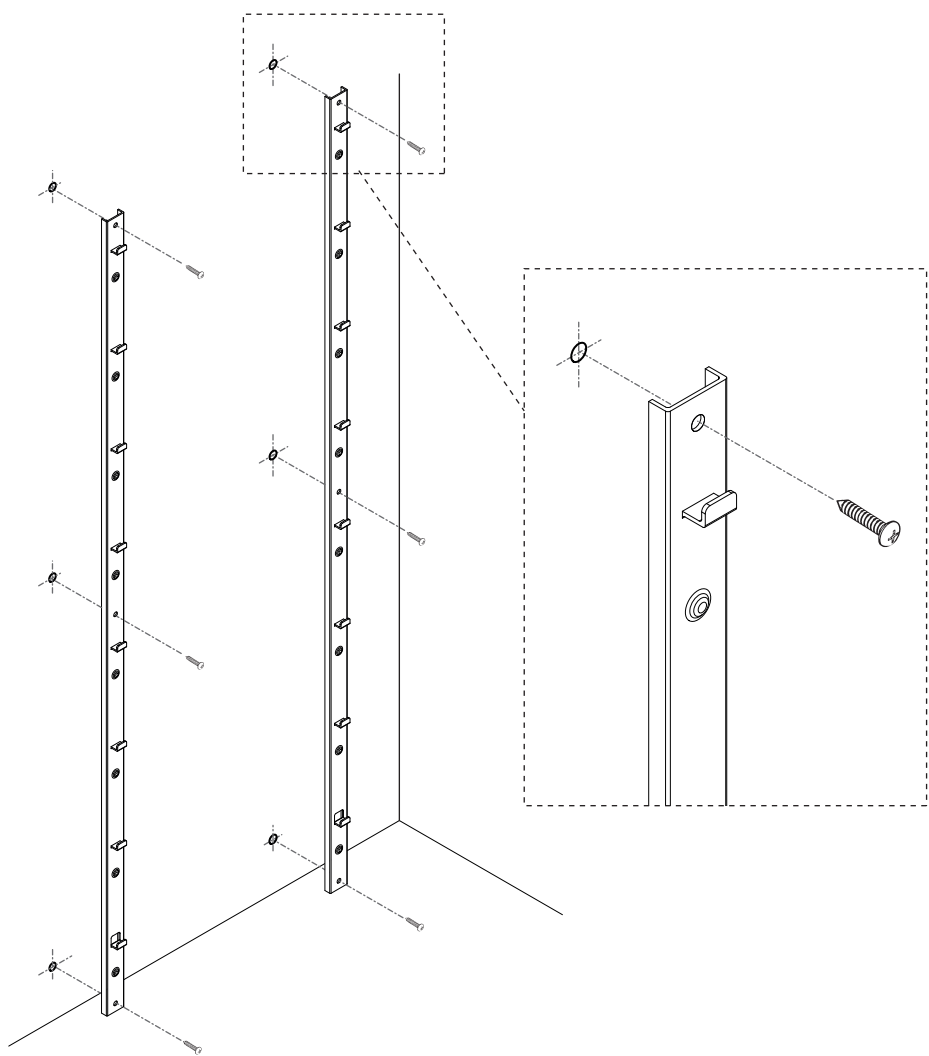
**X**

L1  
L2

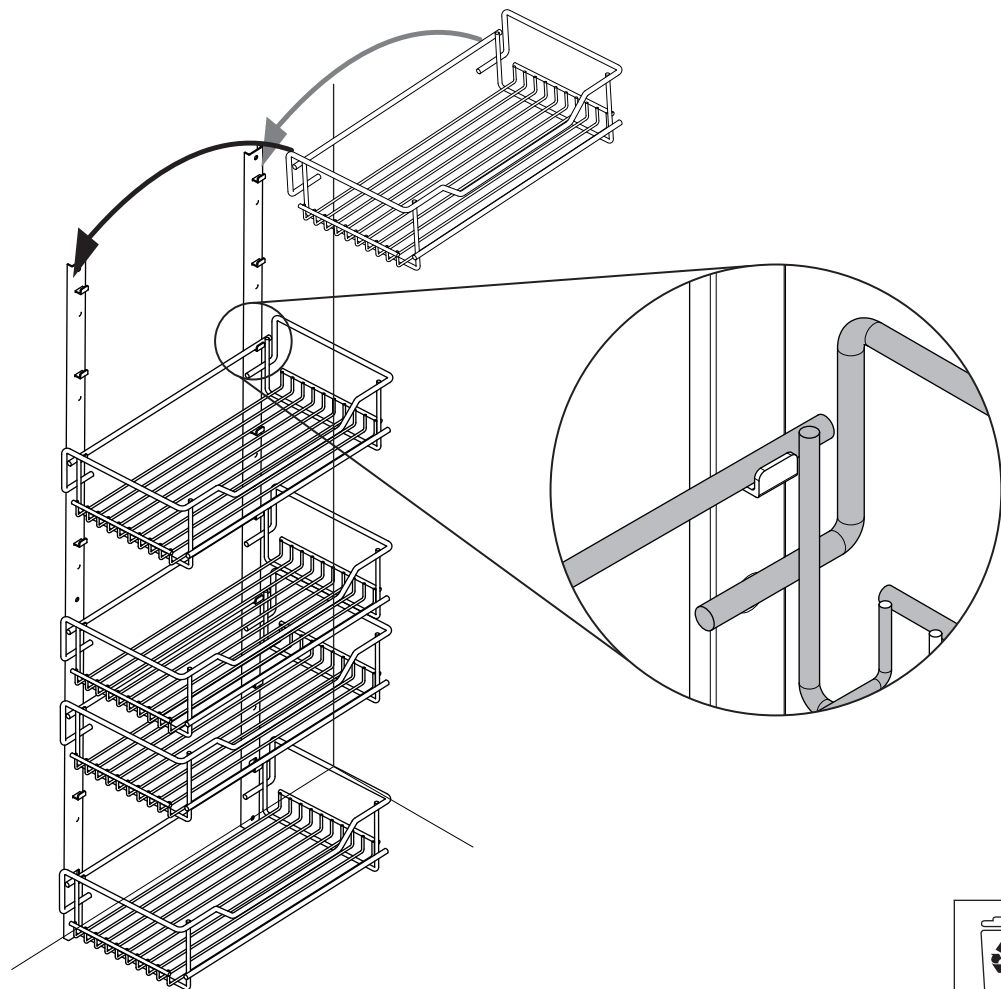
302 mm  
490 mm

2

$\varnothing 4 \times 16 \text{ mm}$  x6	
---	--



3



		
---	---	---