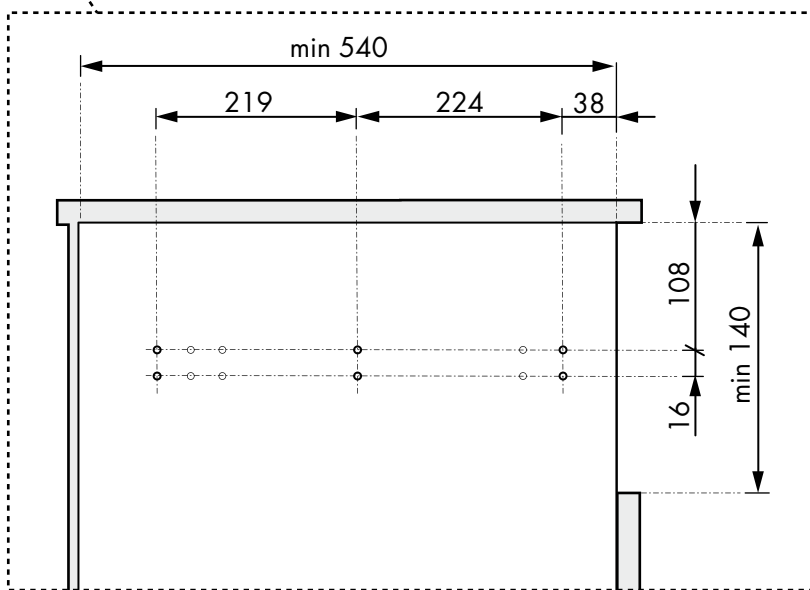
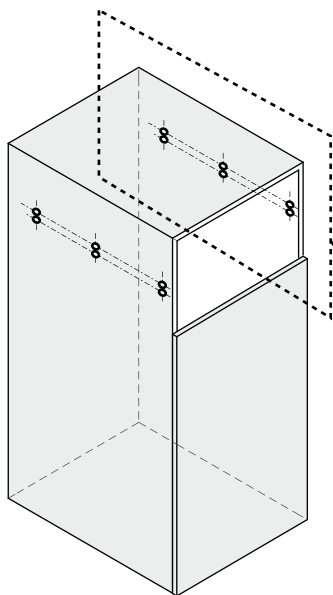
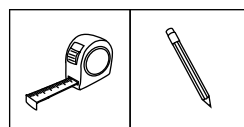
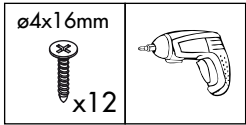
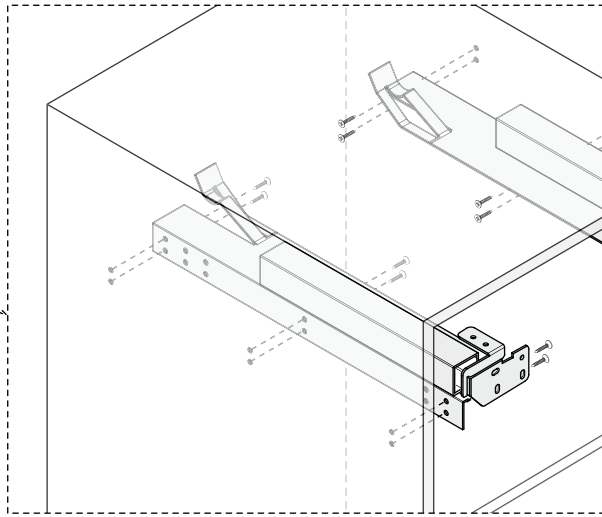
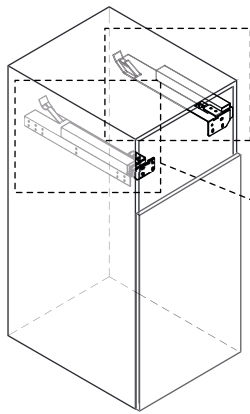


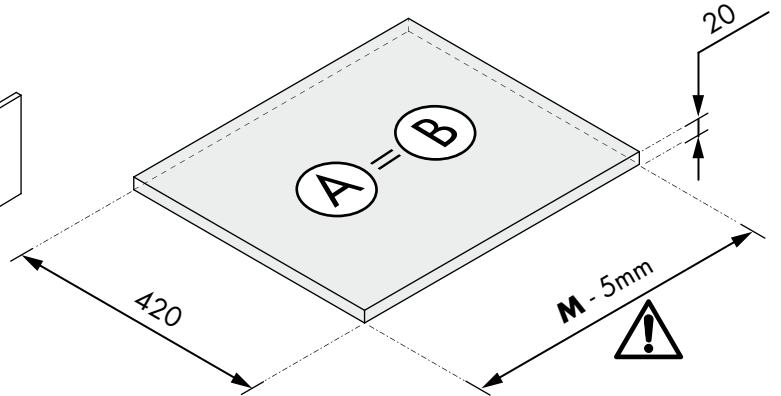
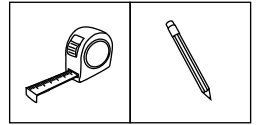
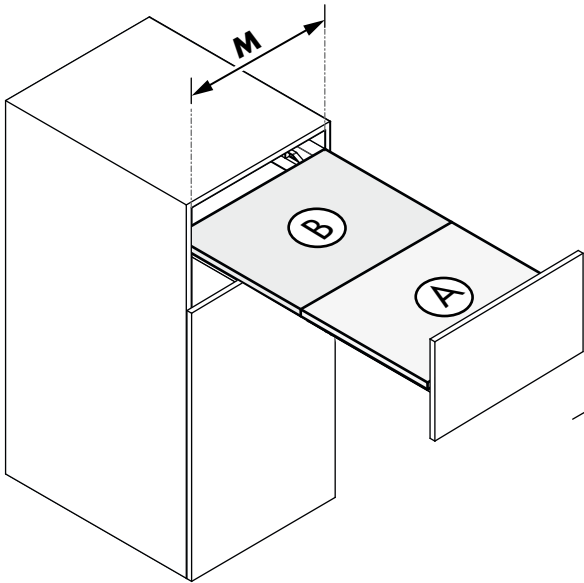
1



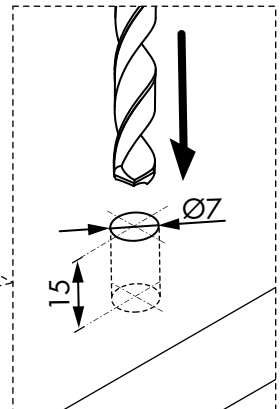
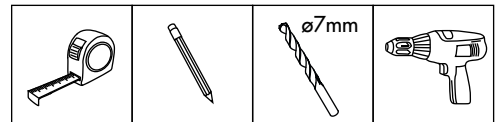
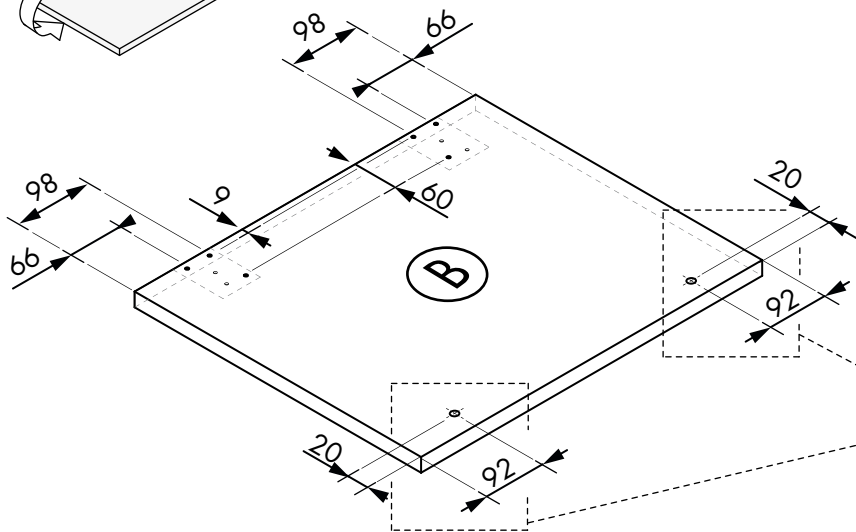
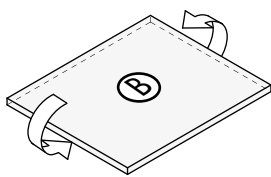
2





3

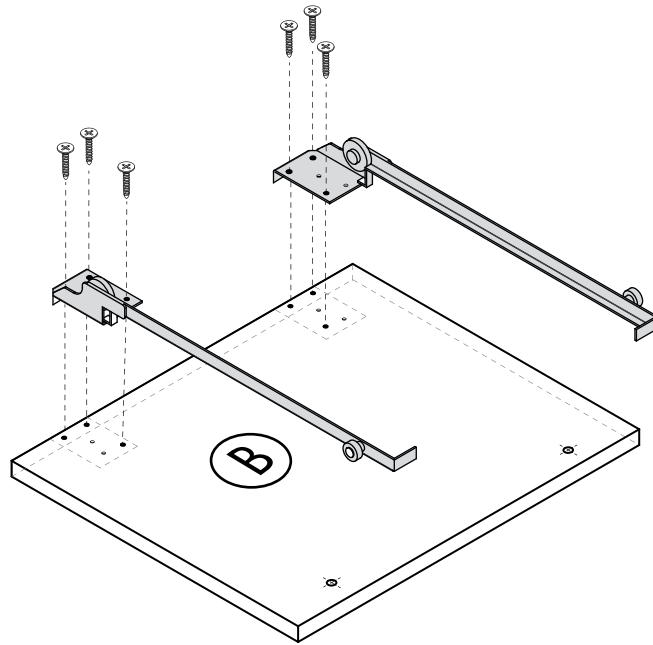


4

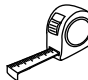



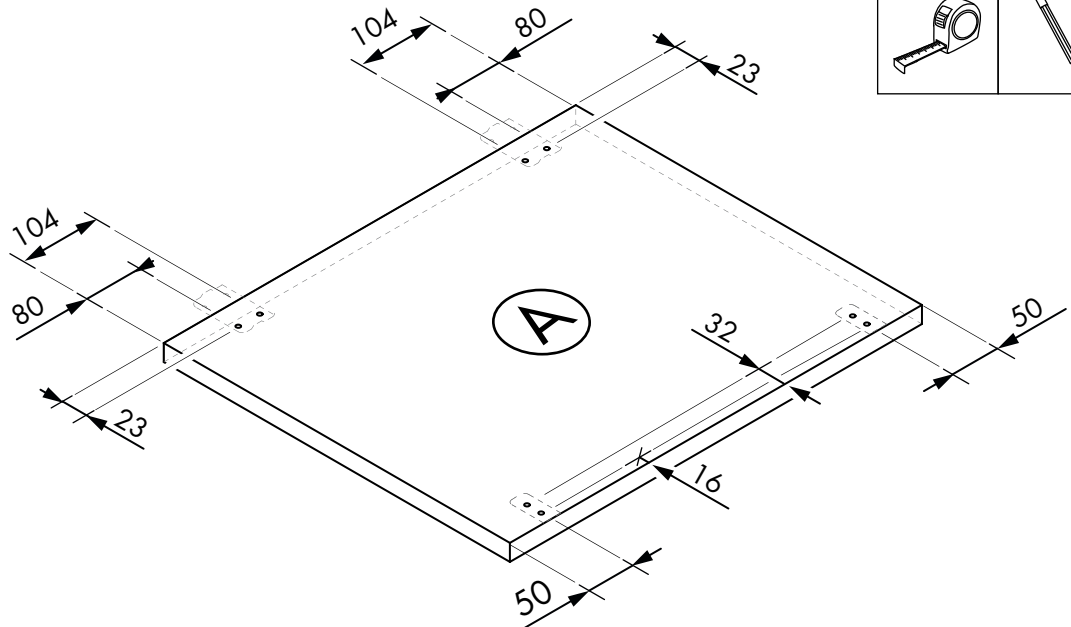
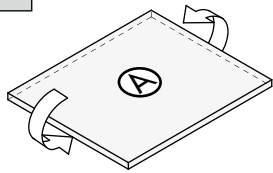
5

$\varnothing 4 \times 16 \text{ mm}$  x6	
---	--






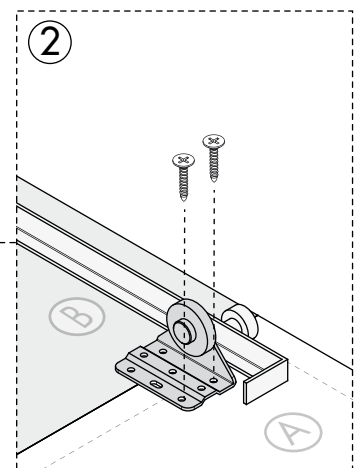
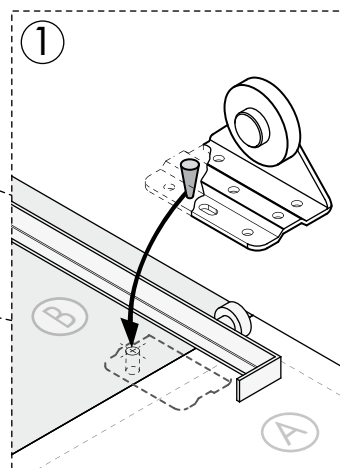
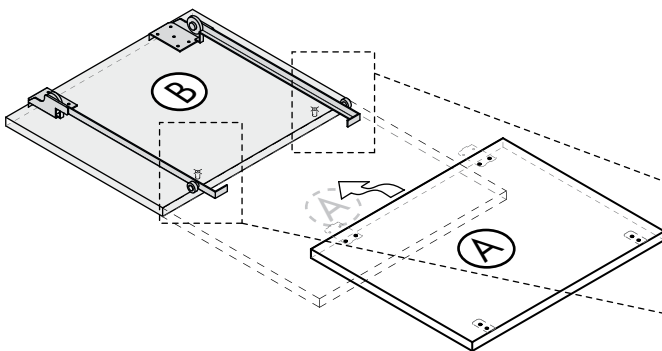
6

	
---	---



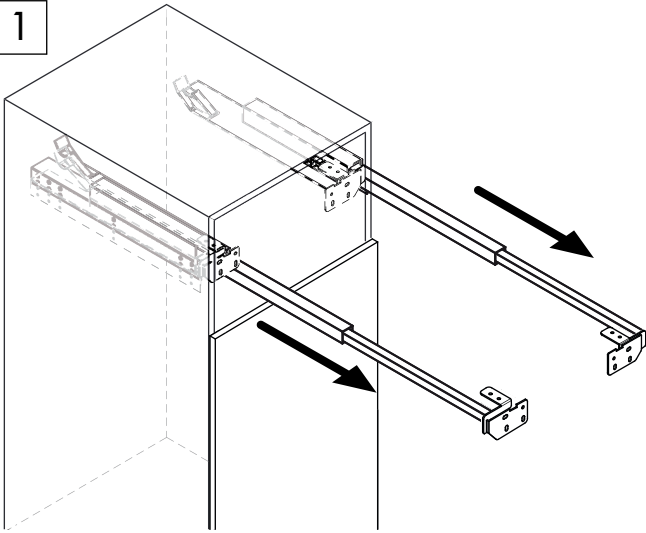
7

 x2	$\varnothing 4 \times 16 \text{ mm}$  x4	
---	---	---

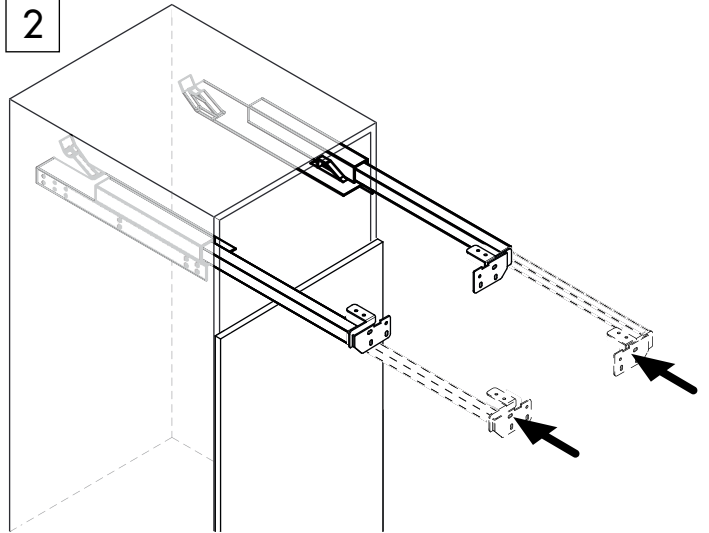


8

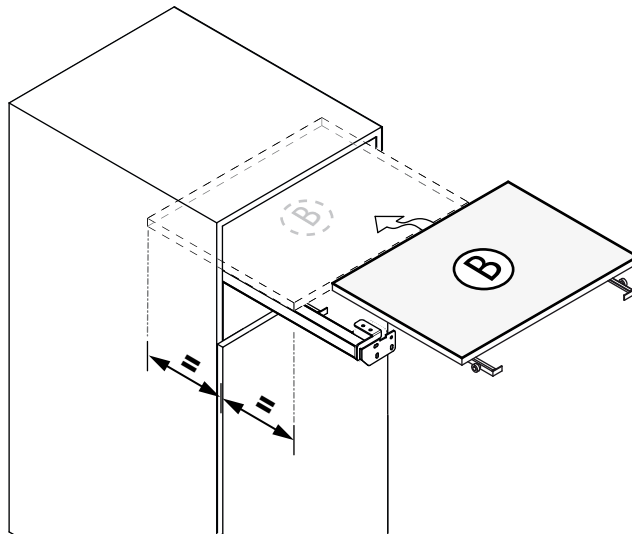
1



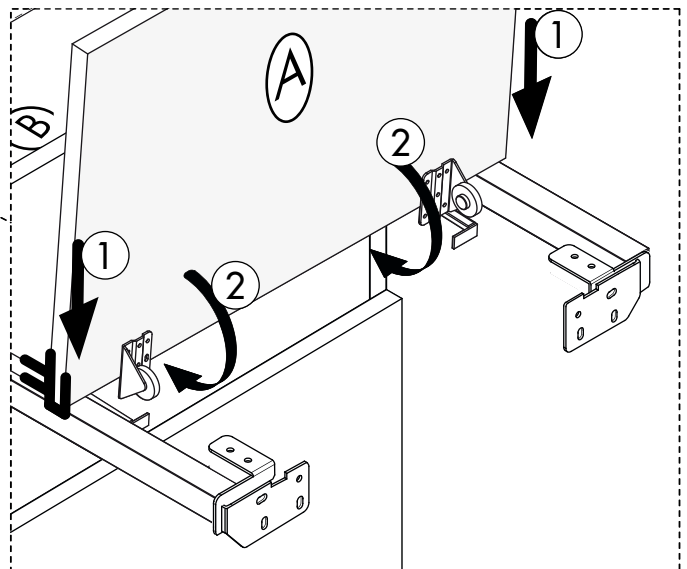
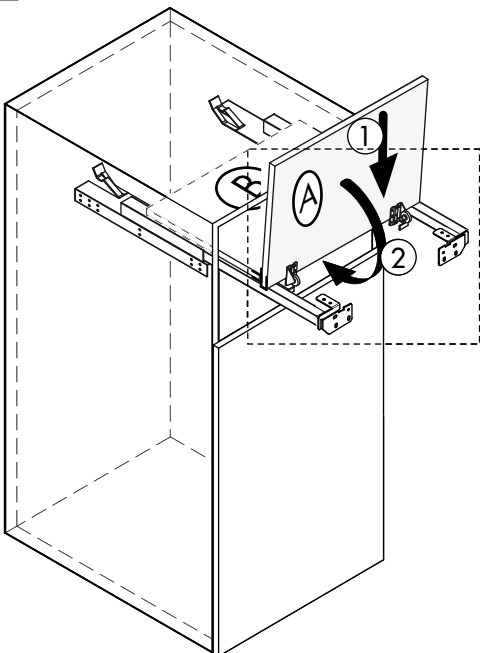
2



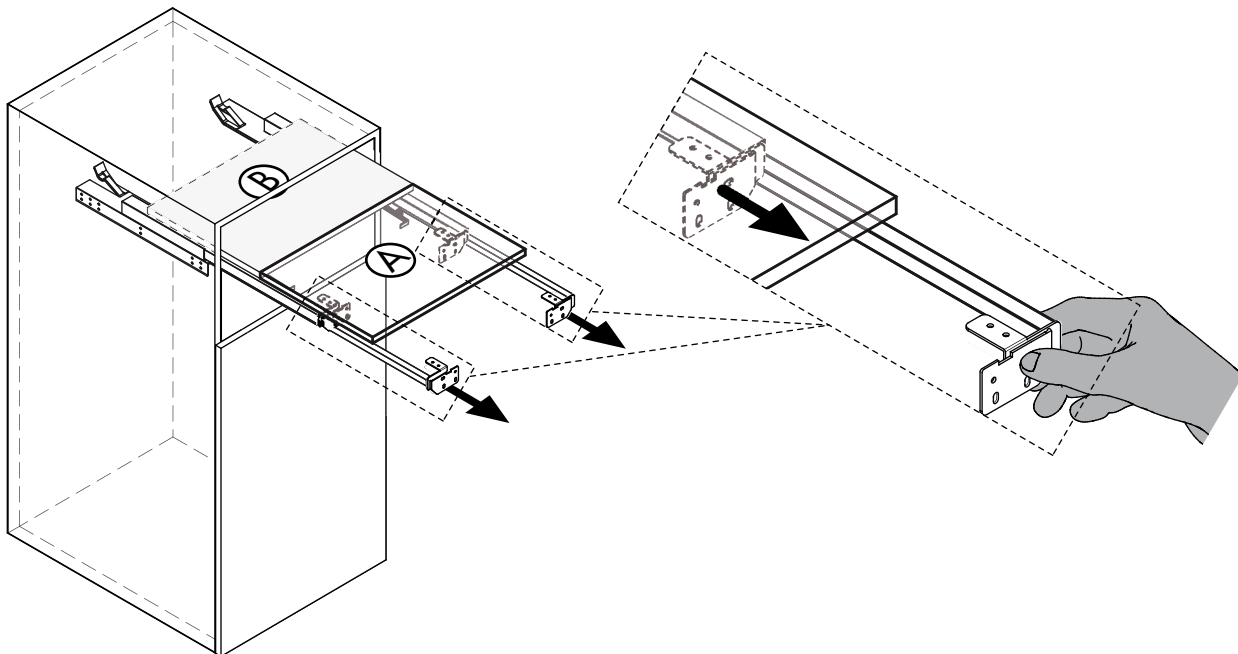
3



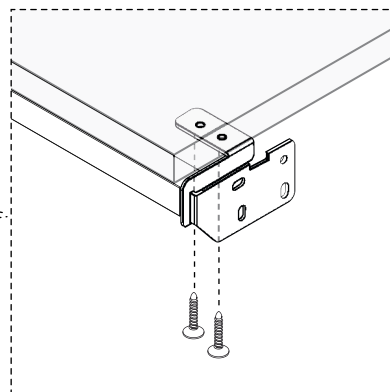
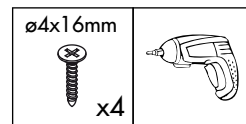
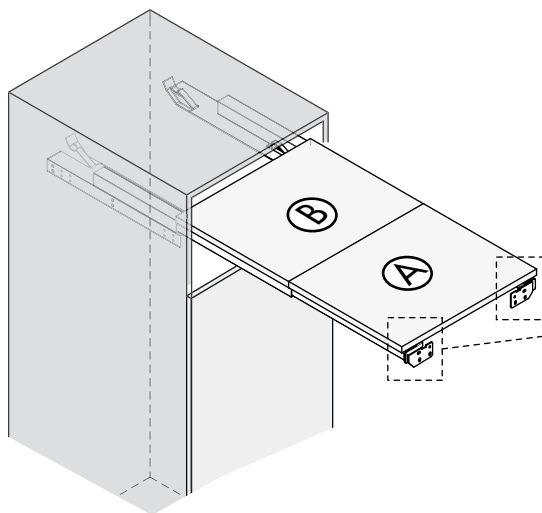
9



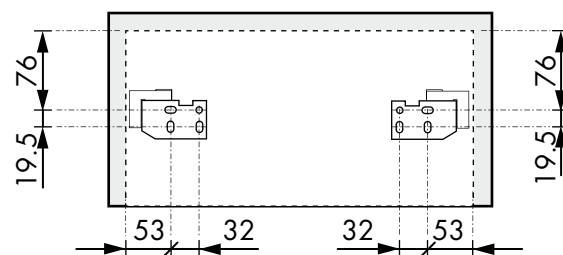
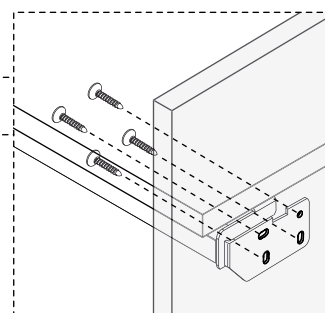
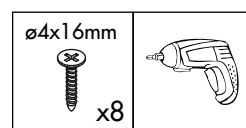
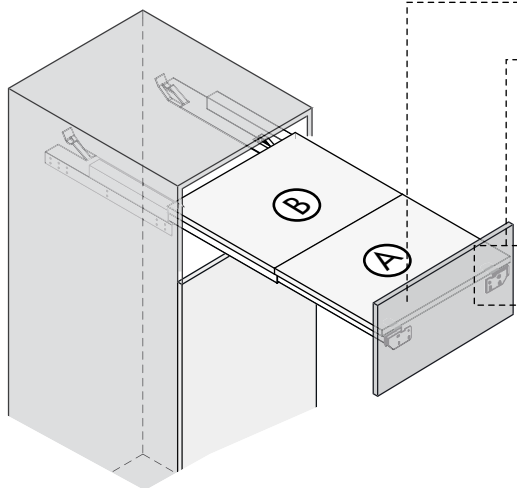
10



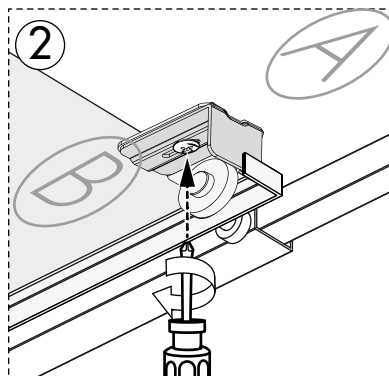
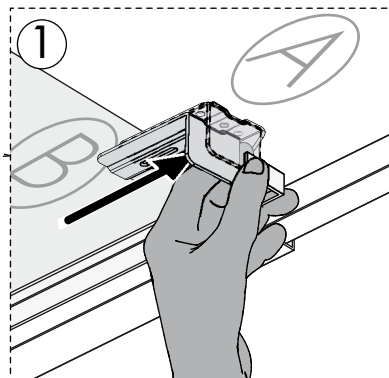
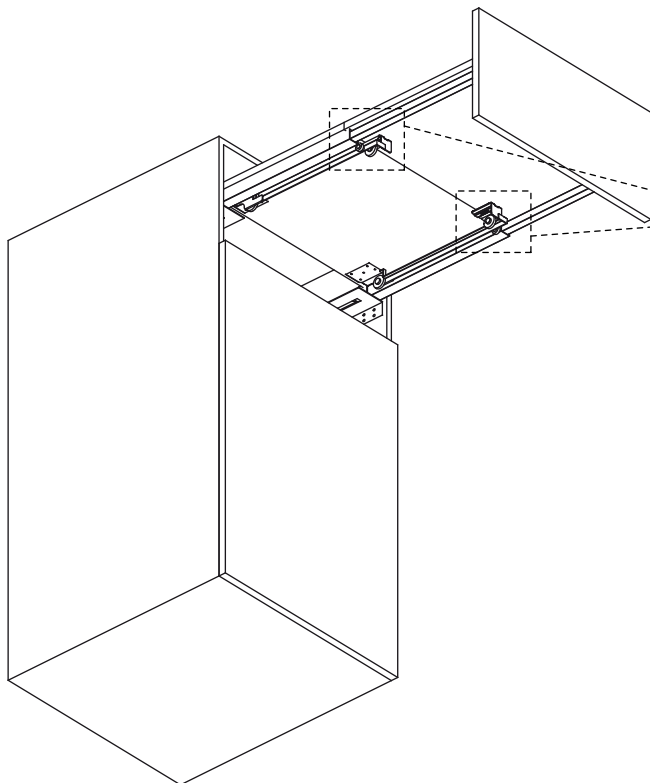
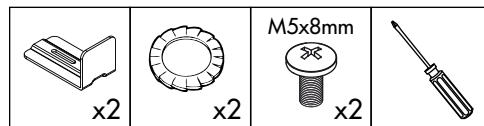
11



12



13



i

